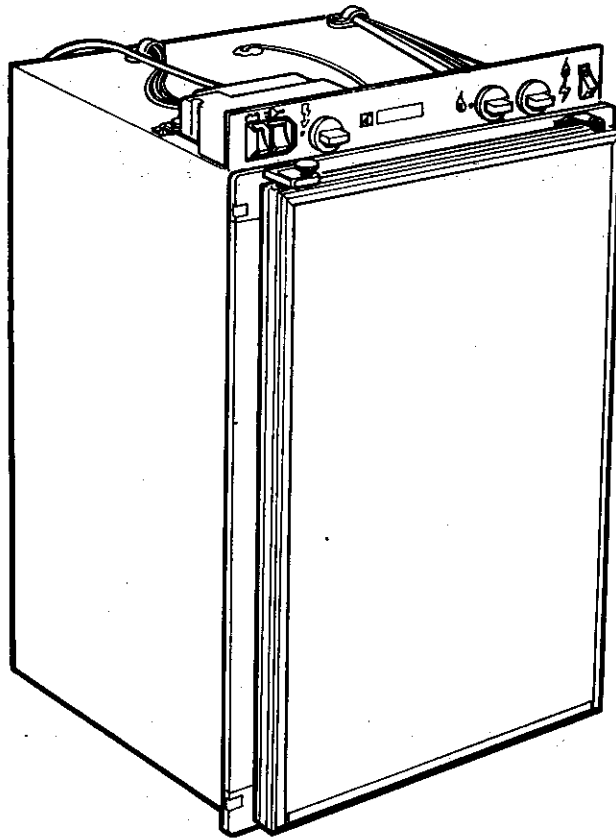


Electrolux

ELECTROLUX LEISURE APPLIANCES LIMITED

RM2200
RM2260
RM2262
RM2266
RM2267

RM2268
RM2290
RM2291
RM2292



OPERATING INSTRUCTIONS
ENGLISH ENGLISH

5

ISTRUZIONI DE FUNZIONAMENTO
ITALIAN ITALIANO

35

LES CONSEILS D'INSTALLATION
FRENCH FRANÇAIS

12

BRUKS- OCHVISNING
SWEDISH SVENSK

42

GEBRAUCHSEISUNG
GERMAN DEUTSCH

20

BRUKS- OGINSNING
NORWEGIAN NORSK

49

GEBRUIKS EIWIJZINGEN
DUTCH NEDERLANDS

28

BRUGSANVISNING
DANISH DANSKE

56

INTRODUCTION

We are pleased that you have chosen this refrigerator and hope you will derive much satisfaction from using it, but first a few well-meant words of advice:

To ensure good refrigeration and economical operation, the refrigerator must be installed and used as described in these instructions.

The refrigerator is designed for 'built-in' installation (i.e. NOT free standing) in caravans and motor caravans. The refrigerator can be operated from either Propane or Butane Gas without adjustment to the appliance.

Electrolux also market a range of Boat, Minibar and Mini Cool refrigerators to suit their particular applications.

TRANSIT DAMAGE

Transit damage must be reported without delay to whoever is responsible for transport but not later than seven days after the refrigerator was delivered.

UNPACKING

Inspect the refrigerator for damage.

DATA PLATE

Check the data plate to ensure that you have received the correct model.

The correct gas pressure is 28 mbar.

The correct voltage is 240 Volts.

The data plate is affixed to the inside of the refrigerator. It contains for instance the following details:

Model designation	RM	
Product number	
Serial number	
Voltage	volts
Gas pressure	mbars

Since these details will be needed if you have to get in touch with service personnel, it is a good idea to make a note of them here.

CONTENTS

OPERATING INSTRUCTIONS	6
CONTROLS	6
STARTING THE REFRIGERATOR	6
WINTER OPERATION	7
REGULATING THE TEMPERATURE	7
TRAVEL CATCH	7
FOOD STORAGE	7
DEFROSTING	8
CLEANING THE REFRIGERATOR	8
TURNING OFF THE REFRIGERATOR	8
IF THE REFRIGERATOR FAILS TO WORK	8
SOME USEFUL HINTS	8
MAINTENANCE	9
GUARANTEE	9
SERVICE	9
TECHNICAL DATA	9
INSTALLATION INSTRUCTIONS	10
VENTILATION OF THE COOLING UNIT	10
LP GAS CONNECTION	10
MOUNTING	10
ELECTRICAL CONNECTION	11

IMPORTANT USER INFORMATION

It is most important that this instruction book should be retained with the appliance for future reference. Should the appliance be sold or transferred to another owner, always ensure that the book is supplied with the appliance in order that the new owner can be acquainted with the functioning of the appliance and the relevant warnings.

These warnings are provided in the interest of safety. You must read them carefully before installing or using the appliance.

- This product is designed to be operated by adults. Children should not be allowed to tamper with the controls or play with the product.
- Any electrical work required to install this appliance should be carried out by a qualified electrician.
- It is dangerous to alter the specifications or modify this product in any way.
- Care must be taken to ensure that the appliance does not stand on the electrical supply cable.
- Electrolux Caravan refrigerators are designed to be used specifically for the storage of edible foodstuffs only.
- There are working parts in this product which heat up. Always ensure that there is adequate ventilation as a failure to do this will result in component failure and possible food loss. See installation instructions.
- Parts which heat up should not be exposed. Wherever possible the back of the product should be close to a wall but leaving the required distance for ventilation as stated in the installation instructions.
- Before defrosting, cleaning or maintenance work is carried out, be sure to switch off the appliance and unplug it.
- The ice box in this appliance contains tubes through which the refrigerant passes. If these are punctured this would cause substantial damage and result in food loss. DO NOT USE SHARP INSTRUMENTS to scrape off frost or ice. Under no circumstances should solid ice be forced off the ice box. Solid ice should be allowed to thaw when defrosting the appliance. See defrost instructions.
- This appliance is heavy. Care should be taken when moving it.
- Ice lollies can cause frost burns if consumed straight from the freezer.
- Frozen food must not be refrozen once it has thawed out.
- Manufacturers' food storage recommendations should be strictly adhered to. Refer to relevant instructions.
- Do not place carbonated or fizzy drinks in the freezer as it creates pressure on the container which may cause it to explode resulting in damage to the appliance.
- Under no circumstances should you attempt to repair the appliance yourself. Repairs carried out by inexperienced persons may cause injury or more serious malfunctioning. Refer to your local Electrolux Service Centre and always insist on genuine Electrolux spare parts.

OPERATING INSTRUCTIONS

The figure numbers referred to in the text will be found on pages 2, 3 and 4.

CONTROLS

The refrigerator can be run on either 240 V, 12 V or LP gas. Changing between these modes of operation is carried out by means of the controls on the control panel shown in Fig. 1.

RM2200, RM2260, RM2262, RM2267, RM2268, RM2291 and RM2292

Two rocker switches are used to select the electric power supply, one for 240 V (1) and one for 12 V (5).

Refrigerator temperature is controlled by a thermostat knob (2) when the refrigerator runs on 240 V.

The gas supply is turned on/off by means of the knob (4). When lighting the gas, one must press in the knob as explained further on.

In models **RM2262, RM2268 and RM2292** a manual piezo-electric igniter is used. When the button (6) is pressed, sparks are generated at the burner.

In models **RM2200, RM2260, RM2267 and RM2291** the gas flame is electronically lit, monitored and relit if necessary. For this the toggle switch (7) should be "on" during gas operation.

An indicator lamp in the switch flashes when the automatic igniter attempts to light the burner. Otherwise this lamp is off.

In models **RM2266 and RM2290** the selector switch (10) is used to select either 240 V, 12 V, or LP gas operation. Refrigerator temperature is controlled by a thermostat (8) when the refrigerator runs on 240 V or LP gas, when the selector switch is set to gas, the gas flame is electronically monitored and relit if necessary.

The indicator lamp (11) flashes when the automatic igniter attempts to light the burner otherwise this lamp is off.

Inside the refrigerator at bottom left is a sight glass for the burner (Fig. 2). A blue light can be seen through it when the flame is alight.

STARTING THE REFRIGERATOR

The position numbers refer to Fig. 1

Caution!

Only use one source of energy at a time.

LP GAS OPERATION

After initial installation, after servicing, changing gas cylinders etc., the gas lines may contain some air which should be allowed to escape by briefly turning on the refrigerator or other appliances. This will ensure that the flame lights immediately.

The flame failure device will automatically shut off the gas to the burner if the flame is blown out. On electronic ignition versions the flame failure device will also shut off the gas, if the burner does not re-light within about a minute of the flame being blown out.

Before you start gas operation:

1. Open the shut-off valve of the gas bottle (check that there is enough gas). Open any on-board shut-off valve.
2. Check that the switches for mains and 12 V are off.

Models RM2268 and RM2292

3. Turn on gas supply by pressing the (4) knob and turning it to the ● position.
4. Set the thermostat knob (3) to the highest setting.
5. Keeping the flame failure device knob (4) pressed, depress the piezoelectric igniter button (6) rapidly 3 or 4 times in quick succession.
6. Check the flame viewer to see whether the flame is alight. (Fig 2)
7. Keep the knob (4) pressed for a further 10 to 15 seconds then release it.
8. Check the flame viewer again to see whether the flame is alight.
9. To terminate gas operation turn knob (4) to '○'.

Models RM2200, RM2260, RM2267 and RM2291

3. Turn on the gas supply by pressing the (4) knob and turning it to the ● position.
4. Set the thermostat knob (3) to the highest setting.
5. Set switch (7) to I. A light in the switch should now start to flash, indicating that sparks are being generated at the burner.
6. Press the (4) knob. This opens the flame failure device and allows gas to flow to the burner.
7. When the flame lights, the sparking stops automatically and the switch stops flashing.
8. Keep the (4) knob pressed for a further 10 to 15 seconds to activate the flame failure device, then release it.


The flame can be observed in a viewing glass inside the refrigerator at the bottom left (Fig. 2).

To terminate gas operation, turn knob (4) to '○' and set switch (7) to '○'.

Model RM2262

3. Depress and turn on the gas control safety device to position 3.
4. Depress the gas control safety device (4) and hold it down while depressing the piezoelectric igniter button (6) rapidly 3 or 4 times in quick succession.
5. Check the flame viewer to see whether the flame is alight (Fig. 2).
6. Keep the safety device control depressed for a further 15-30 seconds.
7. Release the safety device control and again check to see that the flame is alight. (Fig. 2)
8. To terminate gas operation turn knob (4) to '○'.

Models RM 2266 and RM 2290

- Turn the thermostat knob (8) to the highest setting.
- Turn the knob (10) of the selector switch to . This will activate the electronic igniter, producing sparks at the burner and the lamp (11) will start flashing.
- Press in the flame failure button (9) and keep it pressed.
- When the flame lights, the sparking stops automatically and the lamp (11) stops flashing.
- Keep the button (9) pressed for a further 10 to 15 seconds to activate the flame failure device, then release it.


The flame can be observed in a viewing glass inside the refrigerator at the bottom left. (Fig. 2)

To terminate the gas operation, turn knob (10) to '0'.

240 V OPERATION RM2200, RM2260, RM2262, RM2267, RM2268, RM2291 and RM2292

- Turn off gas or 12 V operation when applicable.
- Set switch (1) to position I. The switch will light up green when the power supply is connected.

Models RM2266 and RM2290

- Turn the knob (10) of the selector switch to .

12 V OPERATION

Only operate your refrigerator on 12 V when the engine of your vehicle is running. Install through a relay otherwise your battery will soon be discharged.


Note: Before operating the refrigerator on 12 V, it should be pre-cooled, together with its contents, by running it on bottled gas or 240 V for a few hours before changing over to 12 V and starting on a journey.

Models RM2200, RM2260, RM2262, RM2267, RM2268, RM2291 and RM2292

- If applicable turn off the gas operation.
- Set the 240 V rocker switch (1) to '0' and the 12 V rocker switch (5) to 1.

Note: The 12 V switch will only light up when the engine is running.

Models RM2266 and RM2290

- Turn the knob (10) of the selector switch to .

WINTER OPERATION

If the refrigerator has been left switched off in an unheated caravan when the outside temperature is below -12°C the cooling unit will become so cold that it cannot be started in the 240 V mode of operation. In such event the refrigerator must be started on LP gas.

Some ventilator grilles have the facility for a winter cover (ask your Dealer).

These covers should only be fitted when the refrigerator is being used in outdoor temperatures below freezing. The cover can also be used when the Caravan is in storage or is being washed by a high pressure spray. Remember to remove the winter covers at all other times when the refrigerator is in use.

REGULATING THE TEMPERATURE

The position numbers refer to Fig. 1.

Once the refrigerator has been started it will take a few hours to become cold.

Models RM2200, RM2260, RM2267, RM2268, RM2291 and RM2292

On 240 V operation the refrigerator is controlled by a thermostat and the thermostat knob (2) should be set at 3. If a lower (colder) temperature is desired, set the thermostat to a higher figure.

On LP gas operation the refrigerator temperature is regulated by the gas thermostat knob (3), which should be set at 3. If a lower (colder) temperature is desired set the thermostat at a higher figure.

Model RM2262

On 240 V operation the refrigerator is controlled by a thermostat and the thermostat knob (2) should be set at 3-5. If a lower (colder) temperature is desired, set the thermostat to a higher figure.

On LP gas operation the refrigerator temperature is regulated by the gas control (4) which should be set at 2. This setting provides a suitable refrigerator temperature in warm weather. Should the storage compartment for fresh items grow too cold, particularly in cold weather set the valve to 1. Do not forget to restore it to 2 or 3 if the weather turns warmer.

Models RM2266 and RM2290

On 240 V and LP gas operation the refrigerator is controlled by a thermostat and the thermostat knob (8) should be set at 3-5. If a lower (colder) temperature is desired, set the thermostat to a higher figure.

All Models

On 12 V operation the refrigerator works continuously.

TRAVEL CATCH (Fig 3)

Make sure that the travel catch is engaged when the caravan is on the move.

The travel catch at the top of the door can be set in two different positions. In one position the door is held tightly shut. In the other position the door is secured ajar so that the refrigerator can be aired when not in use.

FOOD STORAGE

Always keep food in closed containers. Never put hot food in the refrigerator; allow it to cool first.

Never keep items in the refrigerator which might give off flammable gases.

The temperature within the frozen and fresh food compartments will be affected by the location of the refrigerator, the ambient temperature and frequency of door opening. It may be necessary to adjust the thermostat setting to allow for these factors.

The 2-star (**) frozen food compartment is intended for the storage of frozen food and for making ice. It is not suitable for freezing items of food.

Most kinds of frozen food can be stored in the frozen food compartment for about a month. This period of time may vary, however, and it is important to follow the instructions on the individual packings.

DEFROSTING

Frost will gradually accumulate on the refrigerating surfaces. It must not be allowed to grow too thick as it acts as an insulator and adversely affects refrigerator performance.

Check the formation of frost regularly every week and when it is about 3 mm thick it will be necessary to defrost the refrigerator.

To defrost the refrigerator, turn it off and remove the ice tray and all food items.

Any frozen foods should be wrapped loosely, but completely, in several layers of clean newspaper. Remember that, if the temperature of frozen food is allowed to rise unduly during defrosting its storage time may be shortened.

If desired, defrosting may be speeded up by filling the ice tray with hot water and placing it in the frozen food compartment.

Do not try to accelerate defrosting by using any kind of heating appliance as the plastic surfaces of the refrigerator might then be damaged. Neither should any sharp objects be used to scrape off the ice.

The defrost water from the cooling plate in the fresh food compartment runs from a collector channel down a tube to a drip tray at the rear of the refrigerator where it evaporates. This does not apply to the frozen food compartment which needs to be cleaned manually. Do not re-freeze any thawed frozen food. When all the ice has melted wipe the frozen and fresh food compartments dry and leave the door ajar for airing prior to re-starting the refrigerator. Place the food items back inside but wait until the refrigerator is cold before making ice cubes.

CLEANING THE REFRIGERATOR

Clean the inside of the refrigerator regularly to keep it fresh and hygienic.

Soak a cloth in a solution consisting of a teaspoon of bicarbonate of soda to half a litre of warm water. Wring out the cloth and use it to clean the interior of the refrigerator and fittings.

Never use detergents, scouring powder, strongly scented products or wax polish to clean the interior of the refrigerator as they may damage the surfaces and leave a strong odour.

The exterior of the refrigerator should be wiped clean now and again, using a damp cloth and a small quantity of detergent. But not the door gasket, which should only be cleaned with soap and water and then thoroughly dried.

The cooling unit behind the refrigerator ought to be cleaned with a brush from time to time, but make sure that the refrigerator is switched off when doing this.

TURNING OFF THE REFRIGERATOR

If the refrigerator is not in use for some time:

- Turn off the LP gas and electric power.
- Empty the refrigerator and defrost it.

- Clean the refrigerator interior and accessories and wipe them dry afterwards.
- Leave the door ajar. It can be secured in this position by means of the travel catch (see Fig. 3).

IF THE REFRIGERATOR FAILS TO WORK

Check the following points before calling a service technician:

1. That the "STARTING THE REFRIGERATOR" instructions have been followed.
2. If it is possible to start the refrigerator on any of the connected sources of energy.
3. If the refrigerator fails to work on gas, check that:
 - The gas bottle is not empty.
 - All LP-gas valves are open.
4. If the refrigerator fails to work on 12 V, check that:
 - The 12 V supply is connected to the refrigerator.
 - The fuse on the 12 V supply is intact.
 - That the 12 V switch is on.
5. If the refrigerator fails to work on 240 V, check that:
 - The 240 V supply is connected to the refrigerator.
 - The fuse is intact.
 - That the 240 V switch is on.

IF THE REFRIGERATOR IS NOT COLD ENOUGH IT MAY BE BECAUSE:

1. The ventilation is inadequate owing to objects such as wire mesh or winter covers blocking the ventilation passages.
2. The evaporator is frosted up.
3. The temperature control setting is incorrect.
4. The gas pressure is incorrect — check the pressure regulator at the gas container.
5. The ambient temperature is too high.
6. Too much food is loaded at the same time.
7. The door is not properly closed.
8. More than one source of energy is used at the same time.

The sealed cooling system must not be opened, since it contains corroding chemicals under high pressure.

SOME USEFUL HINTS

MAKE SURE THAT:

- The refrigerator is not operating on 12 V when the vehicle is parked, otherwise you may drain the car battery in a short time.
- Defrosting is carried out periodically.
- The refrigerator is clean and dry with the door left open when it is not to be used for some time.
- Liquids or items with a strong odour are well packaged.
- The ventilation openings are unobstructed.
- The door is secured by means of the travel catch when the caravan is on the move.
- Only one mode of operation at a time is used to run the refrigerator.

MAINTENANCE

Couplings can be tested for leaks using a soap solution. Do not use an open flame! If there is any suspicion of damage, call for a service engineer.

We recommend that a service engineer check the refrigerator once a year.

SERVICE

Service is obtainable from your dealer or Electrolux — The Electrolux Service Centre for your region can be found in the telephone directory.

GUARANTEE

Guarantee information is given below, The model is also embraced by a European guarantee as described in the brochure supplied with the refrigerator.

TECHNICAL DATA

MODEL	RM 2200	RM 2260 RM 2262	RM 2266 RM 2267 RM 2268	RM 2290 RM 2291 RM 2292
OVERALL DIMENSIONS — Height	615mm	826mm	826mm	826mm
Width	486mm	514mm	514mm	514mm
Depth with door	479mm	485mm	485mm	535mm
Depth without door	440mm	446mm	446mm	496mm
BUILT-IN-DIMENSIONS — Height	617mm	825mm	825mm	825mm
Width	490mm	490mm	490mm	490mm
Depth	460mm	460mm	460mm	510mm
WHEEL ARCH STEP DIMENSIONS — Height	—	221mm	—	—
Width	—	490mm	—	—
Depth	—	220mm	—	—
CAPACITIES — Gross Vol. (Approx.)	60 litres	70 litres	77 litres	90 litres
Weight (Maximum)	19 Kg	19 Kg	21 Kg	22 Kg
MODE OF ELECTRICAL OPERATION	240V AC 95W 12V DC 95W 1.6kWh/24h	240V AC 115W 12V DC 115W 2.3kWh/24h	240V AC 115W 12V DC 115W 2.4kWh/24h	240V AC 115W 12V DC 115W 2.5kWh/24h
Energy Consumption at 25°C ambient temp				
MODE OF GAS OPERATION Rated Power	176W	176W	176W	176W
Energy consumption at 25°C ambient temp	0.21kg/24h	0.24kg/24h	0.27kg/24h	0.29kg/24h
Cooling Medium	R717	R717	R717	R717

Guarantee

This Guarantee is offered to you as an extra benefit and does not affect your legal rights.

Electrolux products are carefully designed, manufactured, tested and inspected and in consequence we undertake to replace or repair any part found to be defective in material or workmanship, within one year of delivery to the original purchaser, free of charge.

The Company does not accept liability for defects arising from neglect, misuse, or accident.

There are certain conditions which may invalidate this guarantee:

- It is dependent upon the appliance being correctly installed and used in accordance with the Company's instructions under normal conditions within the United Kingdom or the Republic of Ireland.
- Service at all times must be carried out by an Electrolux service representative or authorised agent.
- The guarantee may be invalidated by unauthorised repair or modification of the appliance. Proof of the date of purchase will be required before service under guarantee is provided.

Electrolux Ltd.

IMPORTANT: For future reference, please enter the date of purchase in this panel.

INSTALLATION INSTRUCTIONS

The figure numbers referred to in the text will be found on pages 2, 3 and 4.

This refrigerator is designed for a permanent 'built-in' installation and must **NOT BE USED FREE STANDING**.

Electrolux Ltd. also market a range of Boat, Minibar and Mini cool refrigerators to suit their particular applications.

BUILDING-IN

RECESS FOR INSTALLATION

The refrigerator should be installed in a recess with the dimensions given in **TECHNICAL DATA**. The refrigerator must be installed level, i.e. parallel to the floor. The walls and floor of the recess must be strong enough to take the weight of the appliance.

The refrigerator must be fixed in the recess in such a way that the motion of the vehicle cannot cause it to work loose. But it must be easy for customers service to remove the refrigerator.

Slide in the refrigerator until it is flush with the front of the recess. There must be 20-25 mm free space behind the refrigerator.

MOUNTING

Models RM2260, RM2262, RM2266, RM2267, RM2268, RM2290, RM2291 and RM2292

Fix the refrigerator with screws through the front frame (see Fig 4). These screws should only be used to secure the refrigerator into the recess; the weight of the appliance to be supported evenly by its feet. The frame should **NOT** be used to support the weight of the refrigerator.

Model RM2200

A method of securing is by means of screws through the main side.

BE CAREFUL NOT TO PROTRUDE INTO THE INTERIOR OF THE REFRIGERATOR OR DAMAGE THE COOLING UNIT.

VENTILATION OF THE COOLING UNIT

At high ambient temperatures the refrigerator will only perform adequately when properly ventilated.

The ventilation is provided by two openings in the wall of the caravan (Fig 5, 5a). Fresh air enters through the lower opening and warm air is discharged through the upper one. The lower opening should be placed immediately above the floor of the recess and the upper one as high as possible above the condenser (C) of the refrigeration unit at least, as in Fig 5, but preferably as shown in (Fig 5a).

The bottom of the lower ventilator should be positioned so that its lowest louvre will be situated at the same level as the floor on which the refrigerator is mounted.

The openings in the caravan wall must be fitted with suitable grilles and be heat resistant.

Both the inlet and outlet of the ventilator must have a total free effective area of at least 240 cm sq through its grille. Please consider that fitting mesh over the grille will reduce the area by as much as 50%.

Grilles especially developed for this application can be obtained from Electrolux Ltd. (Model No. A1609).

When fitting the Electrolux A1609 ventilator kit, there must be a minimum clearance of 5mm around each side and a minimum clearance of at least 20mm at the top and bottom of the grille to allow for the fitting of a winter cover.

A hole must be provided under the refrigerator (not close to the burner) so that any leaking LP gas can escape. This must have an effective area of at least 13cm². It is desirable to fit the hole with wire mesh and an angled plate to protect it from stones mud etc.; the wire mesh must not however reduce the effective area of 13cm².

The space between the fridge and the wall of the caravan has to be made tight so that no exhausts and cold air will enter the inside of the caravan.

FUNCTION AND INSTALLATION OF FLUE KIT

Flue gas must be exhausted to the outside by a special flue kit, this kit is supplied with the refrigerator or bought separately. This kit has to be installed according to type (Fig 6 & 6a or Fig 7 & 7a). A screw is supplied to secure the flue top to the central tube.

All surfaces above and adjacent to the flue outlet and beside and below the burner housing should be off or protected by metal or other inflammable material.

The distance between the flue pipe and combustable materials must **NOT** be less than 5mm at any point.

The space round the flue pipe in wall leadthroughs must be packed with glass wool. On both sides of the leadthrough the wall must be protected with sheet metal plates as supplied with the flue pipe.

The refrigerator maybe supplied with a combined flue and ventilator Fig 8, if so the traditional flue outlet (Fig 6/ Fig 7) is not required.

Note the "pepper pot" 'A' on Fig 8a has to be fixed with the slit 'B' at the bottom.

The joint between the flue extension pipe and its aluminium plate at the front should be sealed with a suitable waterproof heat resistant sealing compound to prevent any ingress of moisture, should a high pressure cleaning spray be used. Waterproof sealer should also be used to seal the ventilators against the caravan or motorhome wall.

LP GAS CONNECTION

Before commencing any installation, reference should be made to BS 5482 Part 2 Code of Practice for Domestic Butane and Propane Gas Burning Installation, Installation in caravans and non-permanent dwellings as required by the NCC Certification Scheme.

The refrigerator is not designed for operation on town gas or natural gas.

CAUTION!

Check that the gas supplied to the refrigerator is at the correct pressure. See the reducing valve on the LP gas container.

CAUTION

The gas installation should only be carried out by a person experienced in gas fitting. It is recommended that the gas pipe feeding the refrigerator is run underneath the caravan and is so arranged that it is possible to turn off the supply to all appliances other than the refrigerator when they are not required. The supply pipe should preferably be of copper; if any other material is used, it must be of a type approved for use with continuously operating bottled-gas appliances, and have threaded connections throughout.

Push-on connections must not be used. (We do not recommend the use of "rubber"-type flexible tubing for connecting permanently operating appliances of this type in the United Kingdom.) All connectors etc. should be of a type specifically designed for the type and diameter of the connection pipe used, and screwed joints should be sealed with a joining compound approved for use with bottled gas.

The gas supply pipe should be connected to the gas inlet pipe by means of a suitable threaded coupling.

In making the connection to the refrigerator, a union gas cock of an approved type bottled-gas must be incorporated in the supply line in a position which is readily accessible to the user. For eventual servicing purposes, the union should be on the outlet side of the cock and the pipework should be positioned so as not to prevent the refrigerator from being readily withdrawn.

ELECTRICAL CONNECTION

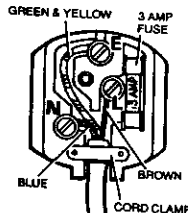
The electrical installation must be carried out in a proper and durable manner, taking into account all relevant regulations and codes of practice. For mains voltage operation, it is important that the circuit to and in the caravan is effectively earthed. **All mains voltage wiring in the caravan must be installed in accordance with current I.E.E. Regulations including the use of an outlet and coupler to BS 4343/CEE 17.**

For connection to a 240 V electricity supply, the refrigerator has a 3-core mains lead which is intended for connection to a properly earthed plug and socket outlet. The socket outlet should be fitted in the caravan in a position readily accessible to the user, within reach of the mains lead. In the United Kingdom, the plug and socket outlet should be of the non-reversible type.

IMPORTANT: The wires in the mains lead of this appliance are coloured in accordance with the following code:

GREEN-AND-YELLOW = EARTH
BLUE = NEUTRAL
BROWN = LIVE

As the colours of the wires may not correspond with the coloured markings identifying the terminals in your plug, in the United Kingdom, proceed as follows:



The wire which is coloured GREEN-AND-YELLOW must be connected to the terminal in the plug which is marked with the letter E or by the earth symbol \perp or coloured green or green-and-yellow.

The wire which is coloured BLUE must be connected to the terminal which is marked with the letter N or coloured black.

The wire which is coloured BROWN must be connected to the terminal which is marked with the letter L or coloured red.

CONNECTION TO FIXED WIRING

As an alternative to the fitting of a plug and socket, the refrigerator may be wired directly into the fixed wiring of the caravan through a contact breaker having a current rating of

5 amps. A means of disconnection from the supply must be provided having a contact separation of at least 3mm on all poles.

WARNING — THIS APPLIANCE MUST BE EARTHED

In the United Kingdom, the plug or circuit to the refrigerator must be fitted with a fuse not greater than 5 amps. If a 13 amp (BS 1363) fused plug is used, it should be fitted with a 3 amp fuse. In other countries the fuse rating will depend upon the voltage and local practice.

Models RM2200, RM2260, RM2266, RM2267, RM2290 and RM2291

WIRING FOR ELECTRONIC IGNITER

The electronic igniter for the gas burner is for permanent connection to a 12 V d.c. supply, e.g. the caravan auxiliary battery.

In a motor-van when an auxiliary battery is not fitted, the igniter can be connected directly to the vehicle's main battery or to an existing 12 V circuit in the vehicle which will remain on continuously and will not be switched off when the engine is switched off. The current drain of the igniter is negligible.

12 V SUPPLY OF RE-IGNITER

Connect the igniter terminal block to the battery, ensuring that correct polarity is observed, — the terminal marked '+' and '-' must be connected to the similarly marked terminals of the battery (Fig 9). The wire used for connecting should be at least 0.5 mm² in cross-sectional area and a 0.5 or 1.0 amp in-line fuse should be fitted in the feed wire, as near to the battery as possible.

240 V SUPPLIES

Electrical leads must be routed and secured so that they cannot come into contact with hot or sharp parts of the refrigerator.

12 V SUPPLIES

Connect the refrigerator to the vehicle battery or alternator by a direct cable. To avoid a voltage drop, the cross-section area of the connecting cable between battery/alternator and refrigerator must be at least 2.0 mm² if the distance is less than 9 metres, and at least 4.0 mm² if the distance is more than 9 metres.

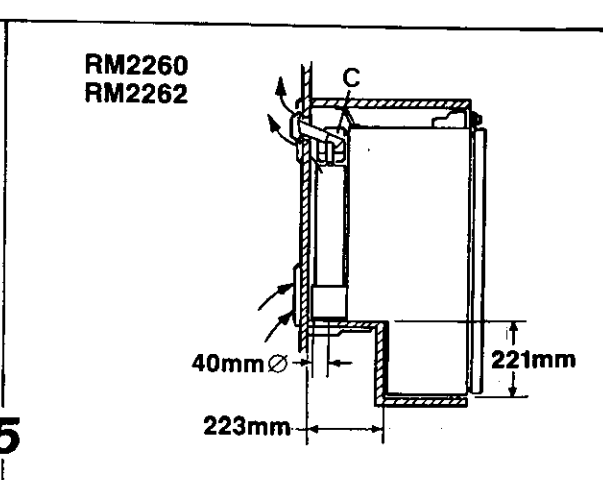
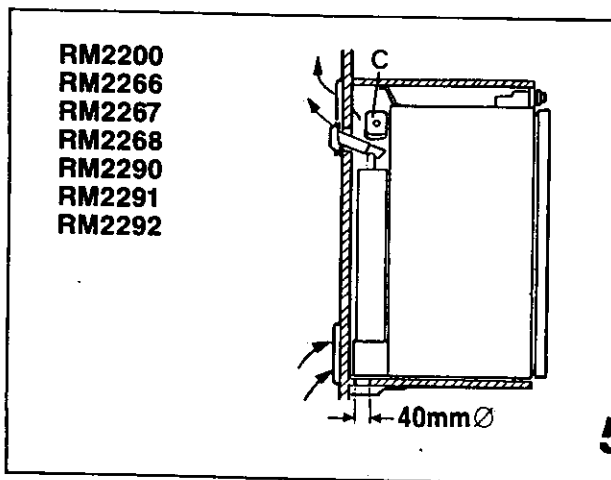
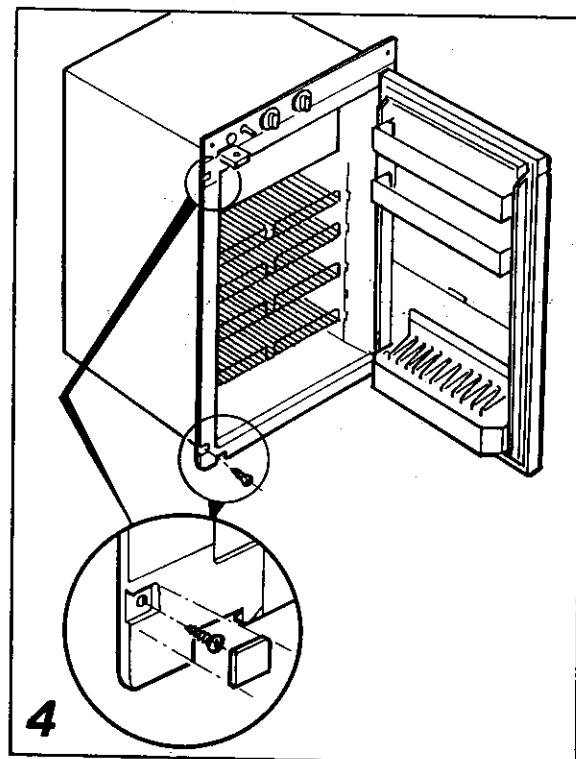
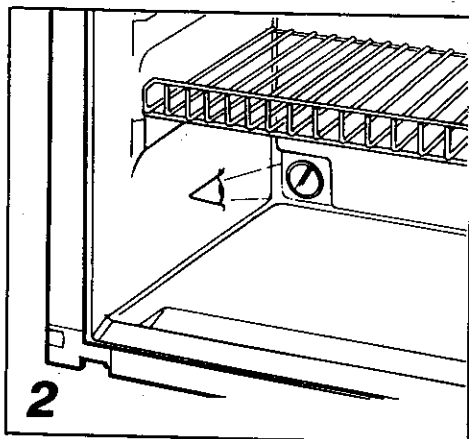
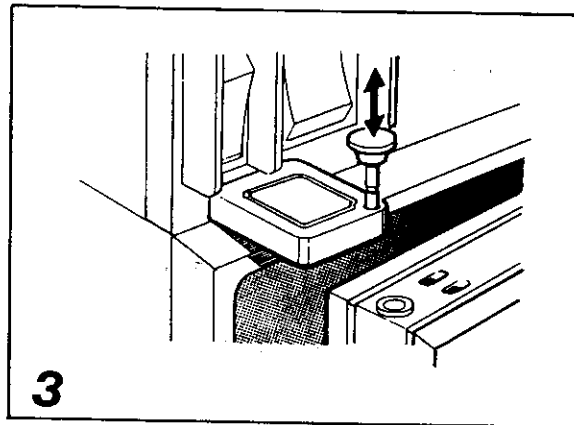
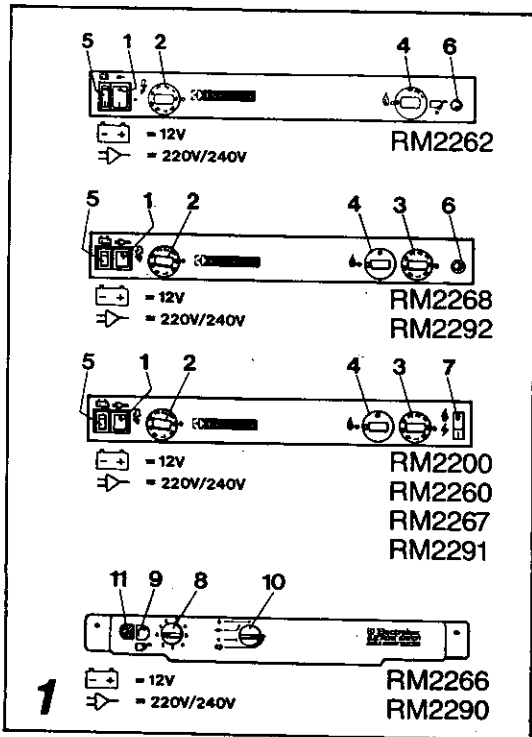
Electrical leads must be routed and secured so that they cannot come into contact with hot or sharp parts of the refrigerator.

To ensure satisfactory operation, the positive lead must be fitted with a fuse rate of 15 A. Wiring diagram, see Fig. 10.

To ensure adequate voltage to the refrigerator attention should be given to the following points.

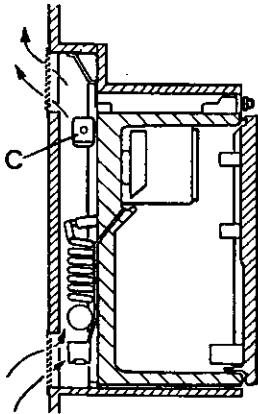
- Battery condition
- Correct size of wiring in the cars harness. This should be a minimum of 1.5 mm² cross-sectional area.
- Clean well fitting connections throughout the whole circuit from the vehicle alternator to the fridge.
- Vehicle voltage regulator should be set at not less than 13.5 volts.

To prevent the refrigerator from draining the battery, make sure that the current supplied to the caravan is cut off when the vehicle engine is not running, for example by fitting an ignition control relay e.g. Lucas SRB 630.



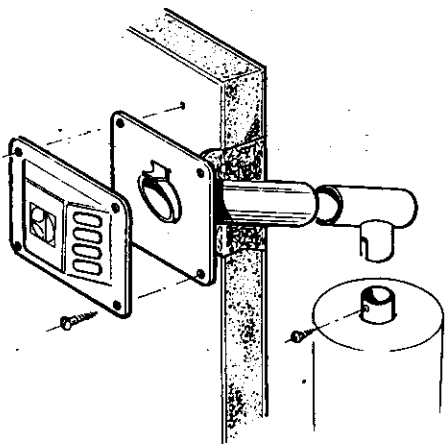
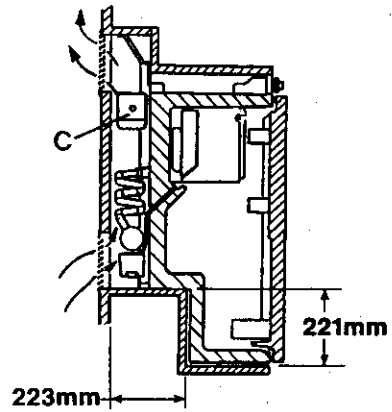
5

RM2200
RM2266
RM2267
RM2268
RM2290
RM2291
RM2292

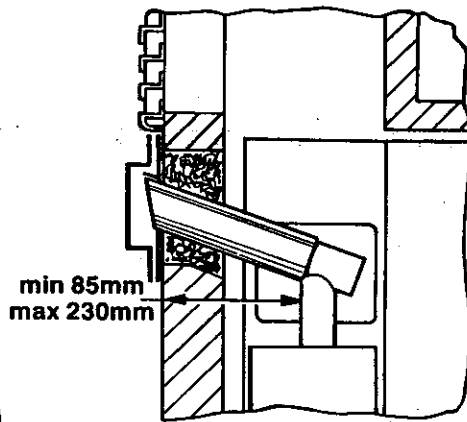


5A

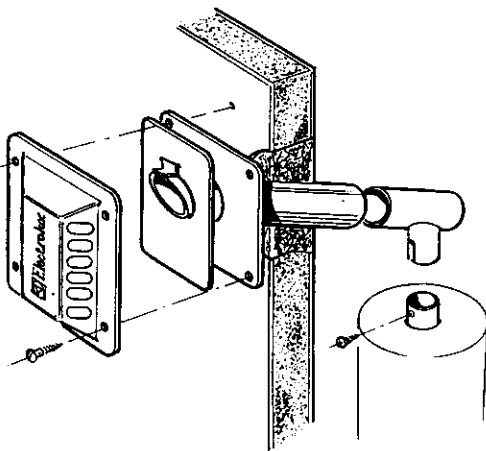
RM2260
RM2262



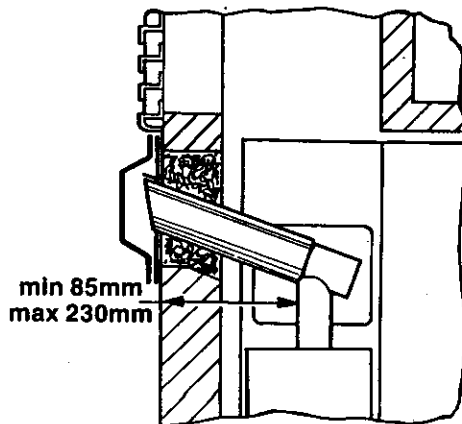
6



6A



7



7A

